

POWERS

Equipment Company, Inc.

105 Steamboat Drive • Warminster, PA 18974 • (215) 675-9220 • (800) 673-7868

Email: sales@powersequipment.com • Website: powersequipment.com

REFRIGERATED EQUIPMENT MANUFACTURERS

Project Name: _____

AIA #

Location: _____

Item # _____ Qty: _____

SIS #

Model #: _____

Model:

FS52SDHC

SWING DOOR FLORAL COOLER

Swing Door Refrigerator with Hydrocarbon Refrigerant

STANDARD FEATURES

- Self contained - ready to plug in.
- R290 hydrocarbon refrigerant is used to comply with all environmental standards. R290 has zero ozone depletion potential (ODP) and three global warming potential (GWP).
- Powder-coat exterior finish.
- Digital temperature control.
- Black anodized aluminum self-closing swinging doors with heated door frames and jambs.
- Hot gas condensate evaporator.
- Switch controlled vertical LED lamps.
- EC fan motors operate at higher peak efficiencies and move a more consistent volume of air which produces less heat and reduces energy consumption.
- Adjustable coated wire shelving.
- Balanced refrigeration systems with a temperature range of 35° F to 45° F
- Louvered motor covers.
- Stainless steel bottom floor.
- The entire cabinet is foamed in place using a high density, CFC free polyurethane insulation.



Model	Doors	Cabinet Dimensions			Door Size		Shelves	HP	Plug Type	Voltage	Amps	Lights	Crated Weight And Dimensions
		W	D	H	W	H							
FS52SDHC	2	52"	31"	74½"	23"	55"	4	1/3	5-15P	115/60/1	4.2	2	521 lbs -60" x 36" x 84"

Model:
FS52SDHC

Swing Door Floral Cooler

Swing Door Refrigerator with Hydrocarbon Refrigerant

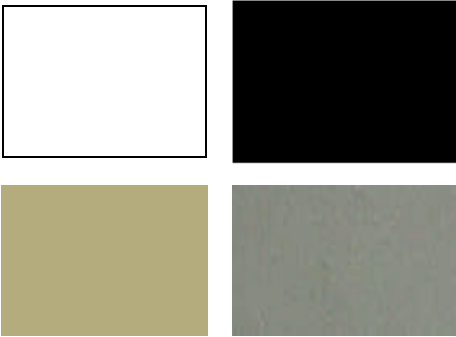


OPTIONAL ACCESSORIES

Shelves and clips
Casters
Stainless exterior/interior

STANDARD COLORS

White/Black/Gray/Vanilla



WARRANTY

One Year Parts and Labor

- The warranty is in effect for one year from date of installation.
- Factory service authorization must be obtained before any work may be performed under the labor warranty.
- The warranty covers reasonable labor costs, based on straight time, when the unit has been diagnosed as defective.
- This warranty does not cover original installation, initial start-up, normal adjustments, or maintenance.
- OEM parts needed for warranty must be obtained from Powers Equipment.

Five Year Compressor Warranty

Powers warrants to the original purchaser for a period of five years from the date of installation, that we will replace the compressor on the unit if found, in the reasonable opinion of the factory, to be defective in material or workmanship. Relays, overloads, capacitors, and any other electrical components are not included in the five-year warranty.

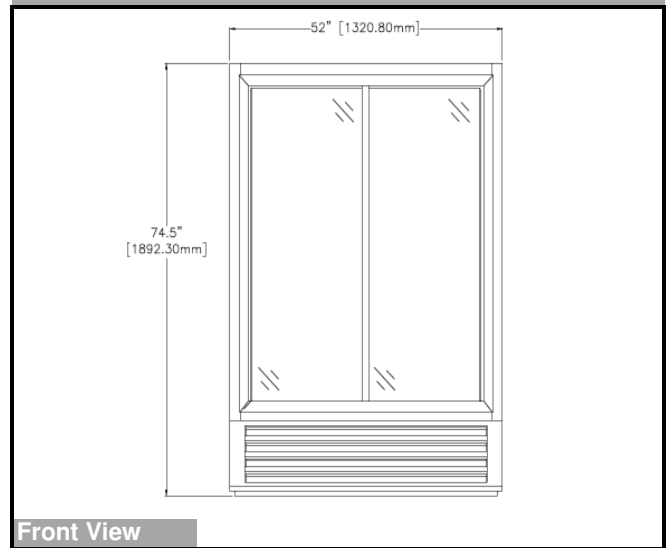
ELECTRICAL REQUIREMENTS

- Cooler is pre-wired at factory and ready for connection to a 115/60/1 phase, 15 amp dedicated outlet.

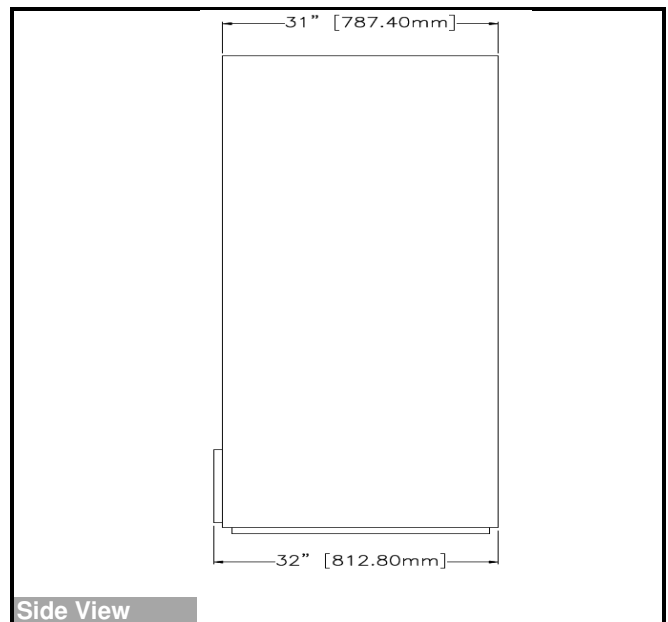


115/60/1
NEMA-5-15R

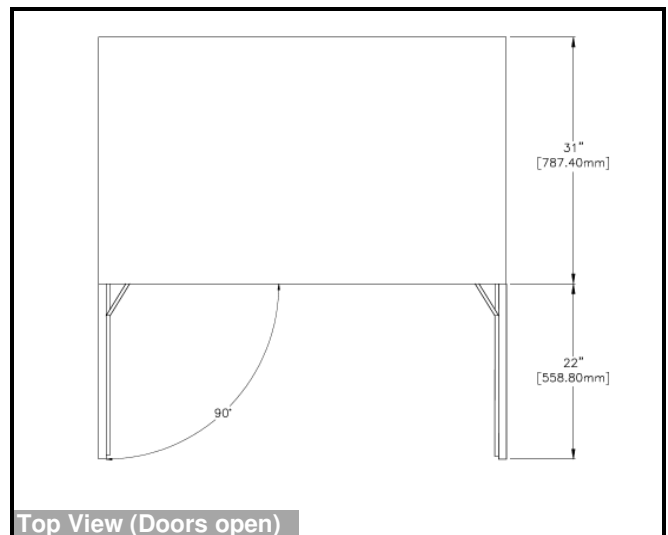
Model Views



Front View



Side View



Top View (Doors open)